

SPARE PARTS CATALOGUE

kapsen



VERSION 260223



kapsen

SPARE PARTS CATALOGUE

Serial number 3752525RC and higher

Parts without a position number always refer to the part listed directly above them.

A dash (-) instead of a position number in the table means that the part is supplied automatically together with the part above the dash.

When ordering spare parts, always state the machine's serial number.

ENGINE HONDA	01
HYDRAULIC SYSTEM	02
ELECTRICAL SYSTEM	03
FRONT FRAME	04
REAR FRAME	05
WINCH POST	06
ENGINE COVER FRAME	07
BUFFER PAN	08
TILTING SHIELD	09
CHASSIS	10
CONTACT	11

01 ENGINE HONDA



Image 2

01 ENGINE HONDA

No.	Part number	Quantity	Description	Note
1	K549	1 pc	HONDA IGX 800 ENGINE	
	K571	1 pc	FUEL FILTER 16910-ZDW-003	
	K572	2 pcs	SPARK PLUG NGK BPR5ES	
		4 pcs	HEX SOCKET SCREW M10x60 10.9	ENGINE / FRAME
		4 pcs	FLAT WASHER	ENGINE / FRAME
		4 pcs	SELF-LOCKING NUT	ENGINE / FRAME
2	A712643	1 pc	PRIMARY AND SECONDARY AIR FILTER	
3	A718180	1 pc	ENGINE OIL FILTER	
4	K378	1 pc	EXHAUST KIT	
5	K060	1 set	CLUTCH SET	
6	K409	1 pc	ENGINE MOUNTING RUBBER	

02.1 HYDRAULIC SYSTEM

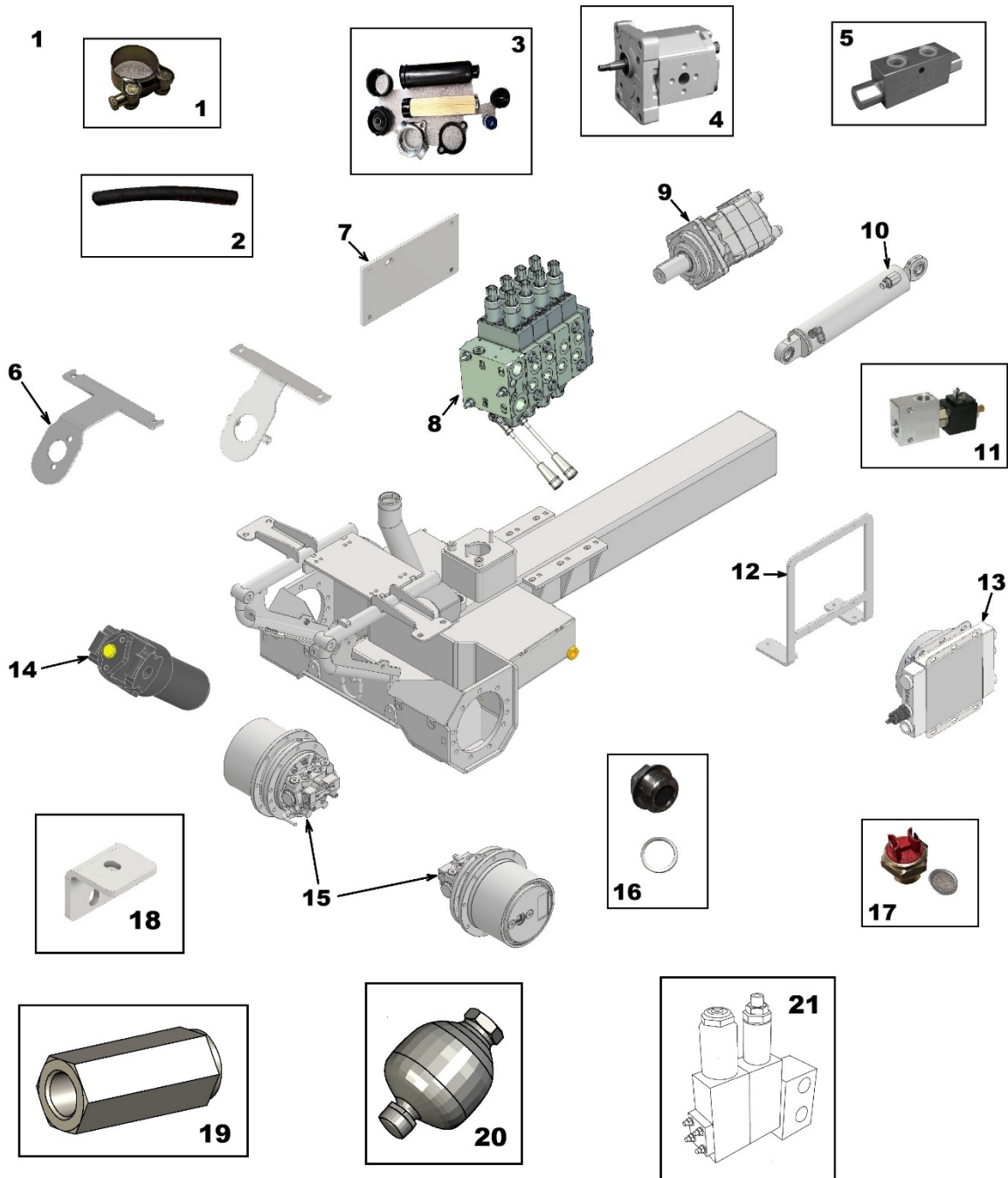


Image 3

02.1 HYDRAULIC SYSTEM

No.	Part number	Quantity	Description	Note
1	600600000600	4 pcs	CLAMP	
2	02503660511	0,3 m	SUCTION HOSE	
3	K059/1	1 set	HYDRAULIC FILTER COMPLETE	
-	K061	1 pc	HYDRAULIC FILTER	
-	SA 12589	1 pc	BREATHER FILTER	
		2 pcs	SELF-LOCKING NUT M10	
		2 pcs	FLAT WASHER M10	
4	17300003133	1 pc	HYDRAULIC PUMP 14 CCM	
5	NR 0060	1 pc	HYDRAULIC LOCK VALVE	
6	K562	1 pc	PRESSURE FILTER AND NITROGEN ACCUMULATOR HOLDER	
		2 pcs	HEX HEAD SCREW M8x30	FRAME / HOLDER
		4 pcs	FLAT WASHER M8	FRAME / HOLDER
		2 pcs	SELF-LOCKING NUT M8	FRAME / HOLDER
		2 pcs	HEX HEAD SCREW M10x25	HOLDER / FILTER
		2 pcs	SPRING WASHER M10	HOLDER / FILTER
		2 pcs	FLAT WASHER M10	HOLDER / FILTER
			NITROGEN ACCUMULATOR HOLDER	
		2 psc	HEX HEAD SCREW M8x30	HOLDER / FRAME
		2 pcs	SELF-LOCKING NUT M8	HOLDER / FRAME
		4 pcs	FLAT WASHER M8	HOLDER / FRAME
		2 pcs	HEX HEAD SCREW M8x35	SIDE HOLDER FOR NITROGEN ACCUMULATOR
7	K563	1 pc	DANFOSS VALVE HOLDER	
		1 pc	COUNTERSUNK HEX SOCKET SCREW M8x25	FRAME / HOLDER
		1 pc	FLAT WASHER M8	FRAME / HOLDER
		1 pc	SELF-LOCKING NUT M8	FRAME / HOLDER
		2 pcs	HEX SOCKET SCREW M8x20	HOLDER / VALVE BLOCK
		2 pcs	FLAT WASHER M8	HOLDER / VALVE BLOCK
		2 psc	SPRING WASHER M8	HOLDER / VALVE BLOCK
		2 pcs	HEX SOCKET SCREW M8x30	HOLDER / VALVE BLOCK
		2 psc	FLAT WASHER M8	HOLDER / VALVE BLOCK
		2 pcs	SPRING WASHER M8	HOLDER / VALVE BLOCK
8	K459	1 pc	DANFOSS VALVE	
9	K550	1 pc	WINCH HYDRAULIC MOTOR MT400CU	
		4 pcs	HEX HEAD SCREW M12x35 10.9	HYDRAULIC MOTOR / FRAME
		4 pcs	NORD-LOCK WASHER M12	HYDRAULIC MOTOR / FRAME

02.2 HYDRAULIC SYSTEM

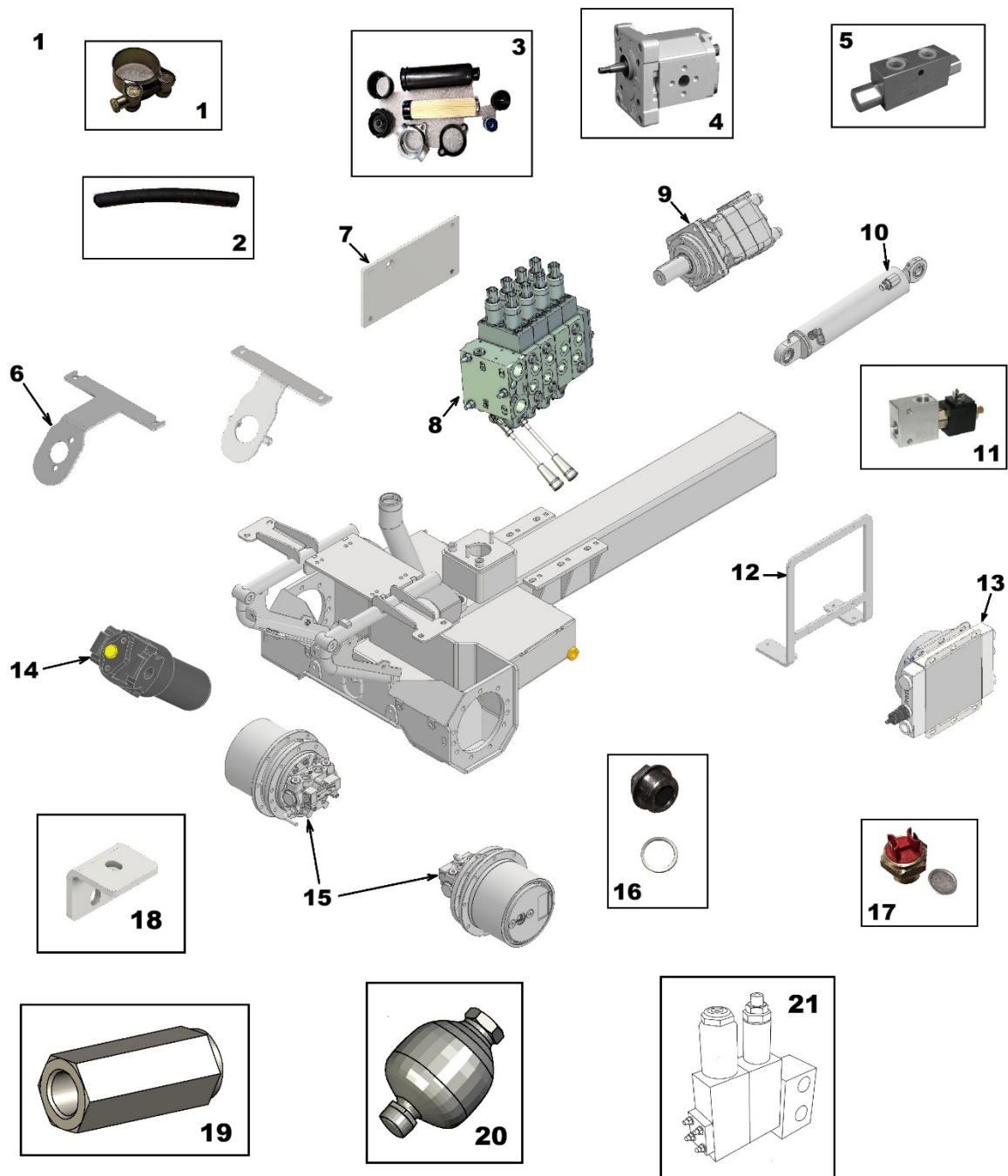


Image 4

02.2 HYDRAULIC SYSTEM

No.	Part number	Quantity	Description	Note
10	K522	1 pc	TILTING SHIELD CYLINDER ROD	
11	K189	1 pc	FREE SPOOLING BLOCK COMPLETE	
-		1 pc	VALVE	
-		1 pc	HYDRAULIC BLOCK	
-		1 pc	COIL	
-		1 pc	CONNECTOR	
		1 pc	HEX HEAD SCREW M6x50	VALVE / FRAME
		1 pc	SELF-LOCKING NUT M6	VALVE / FRAME
		2 pcs	LARGE FLAT WASHER M6	VALVE / FRAME
12	K542	1 pc	COOLER HOLDER	
		4 pcs	FLANGED BUTTON HEAD HEX SOCKET SCREW M8x25	FENDER / COOLER
		4 pcs	FLAT WASHER M8	FENDER / COOLER
		4 pcs	SELF-LOCKING NUT M8	FENDER / COOLER
		4 pcs	FLANGED BUTTON HEAD HEX SOCKET SCREW M8x25	HOLDER / COOLER
		4 pcs	FLAT WASHER M8	HOLDER / COOLER
		4 pcs	SELF-LOCKING NUT M8	HOLDER / COOLER
13	RAL20/2V12A40	1 pc	HYDRAULIC COOLER	
		1 pc	HYDRAULIC OIL TEMPERATURE SENSOR	
14	421NR1	1 pc	MEDIUM PRESSURE FILTER	HOUSING ONLY
	421F10XN	1 pc	FILTER ELEMENT	
	DV500	1 pc	OPTICAL CLOGGING INDICATOR	
15	K421	2 pc	TRAVEL HYDRAULIC MOTOR	TWO-SPEED WITH BRAKE
		4 pcs	HEX HEAD SCREW M12x50 10.9	HYDRAULIC MOTOR / FRAME
		4 pcs	NORD-LOCK WASHER M12	HYDRAULIC MOTOR / FRAME
		4 pcs	SELF-LOCKING NUT M12	HYDRAULIC MOTOR / FRAME
16	K020	2 pcs	TANK CAP WITH MAGNET	
	0000000580	3 pcs	WASHER	
17		1 pc	HYDRAULIC OIL TEMPERATURE SENSOR	
18	K560	1 pc	HYDRAULIC LOCK HOLDER	TILTING SHIELD
19	K432	1 pc	CHECK VALVE	
20	K433	1 pc	NITROGEN ACCUMULATOR	
21	K458	1 pc	HYDRAULIC SHIFTING BLOCK	TURTLE / HARE

03 ELECTRICAL SYSTEM

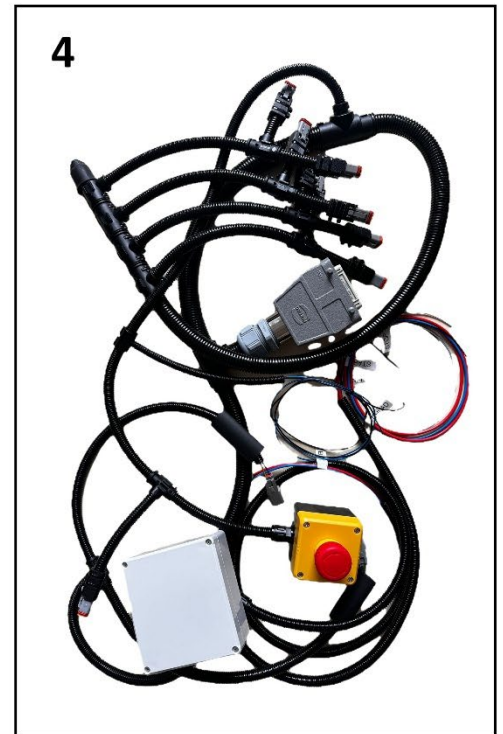


Image 5

03 ELECTRICAL SYSTEM

No.	Part number	Quantity	Description	Note
1	K524	1 pc	AUTEC CONTROL SYSTEM COMPLETE	
2	K584	2 pcs	BATTERY	
3	K583	1 pc	ANTENNA	
4		1 pc	WIRING HARNESS	
5	K193	1 pc	LED LIGHT	
			SELF-LOCKING NUT M8	
			FLAT WASHER M8	
6	K322	1 pc	BATTERY DISCONNECT SWITCH	
	EK30041	1 pc	BATTERY DISCONNECT SWITCH HANDLE	
		2 pcs	HEX SOCKET SCREW M6x16	
		2 pcs	SELF-LOCKING NUT M6	
			FLAT WASHER M6	
7	K483	1 pc	BATTERY YTX20L-BS, 12V 18Ah, 250A	

04 FRONT FRAME

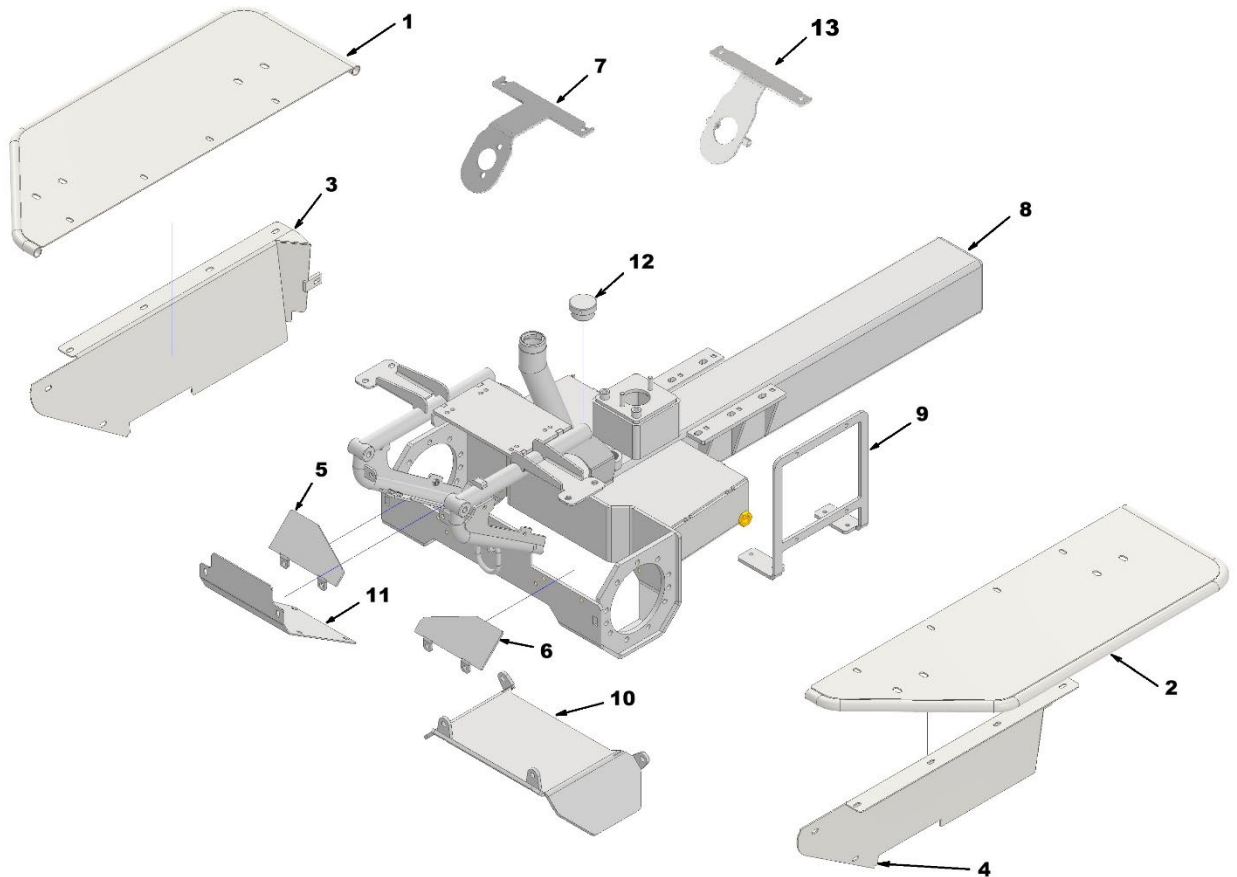


Image 6

04 FRONT FRAME

No.	Part number	Quantity	Description	Note		
1	K481	1 pc	RIGHT FENDER			
		4 pcs	FLANGED BUTTON HEAD HEX SOCKET SCREW M8x20	FENDER / INNER FENDER		
		4 pcs	SELF-LOCKING NUT M8	FENDER / INNER FENDER		
		4 pcs	FLAT WASHER M8	FENDER / INNER FENDER		
		4 pcs	HEX HEAD SCREW M10x25	FENDER / HOLDER		
		7 pcs	FLAT WASHER M10	FENDER / HOLDER		
		4 pcs	SELF-LOCKING NUT M10	FENDER / HOLDER		
		1 pc	FLAT WASHER M10x30	SAFETY CABLE		
		2 pcs	HEX SOCKET SCREW M6x16	FENDER / RECEIVER HOLDER		
		2 pcs	SELF-LOCKING NUT M6	FENDER / RECEIVER HOLDER		
		2 pcs	FLAT WASHER M6	FENDER / RECEIVER HOLDER		
		2	K482	1 pc	LEFT FENDER	
				4 pcs	FLANGED BUTTON HEAD HEX SOCKET SCREW M8x25	FENDER / INNER FENDER
				4 pcs	SELF-LOCKING NUT M8	FENDER / INNER FENDER
4 pcs	FLAT WASHER M8			FENDER / INNER FENDER		
4 pcs	HEX HEAD SCREW M10x25			FENDER / COOLER HOLDER		
8 pcs	FLAT WASHER M10			FENDER / COOLER HOLDER		
4 pcs	SELF-LOCKING NUT M10			FENDER / COOLER HOLDER		
3	K486			1 pc	RIGHT INNER FENDER	
		3 pcs	FLANGED BUTTON HEAD HEX SOCKET SCREW M8x20	WHEEL ARCH / FRAME		
4	K485	1 pc	LEFT INNER FENDER			
		3 pcs	FLANGED BUTTON HEAD HEX SOCKET SCREW M8x20	WHEEL ARCH / FRAME		

04 FRONT FRAME

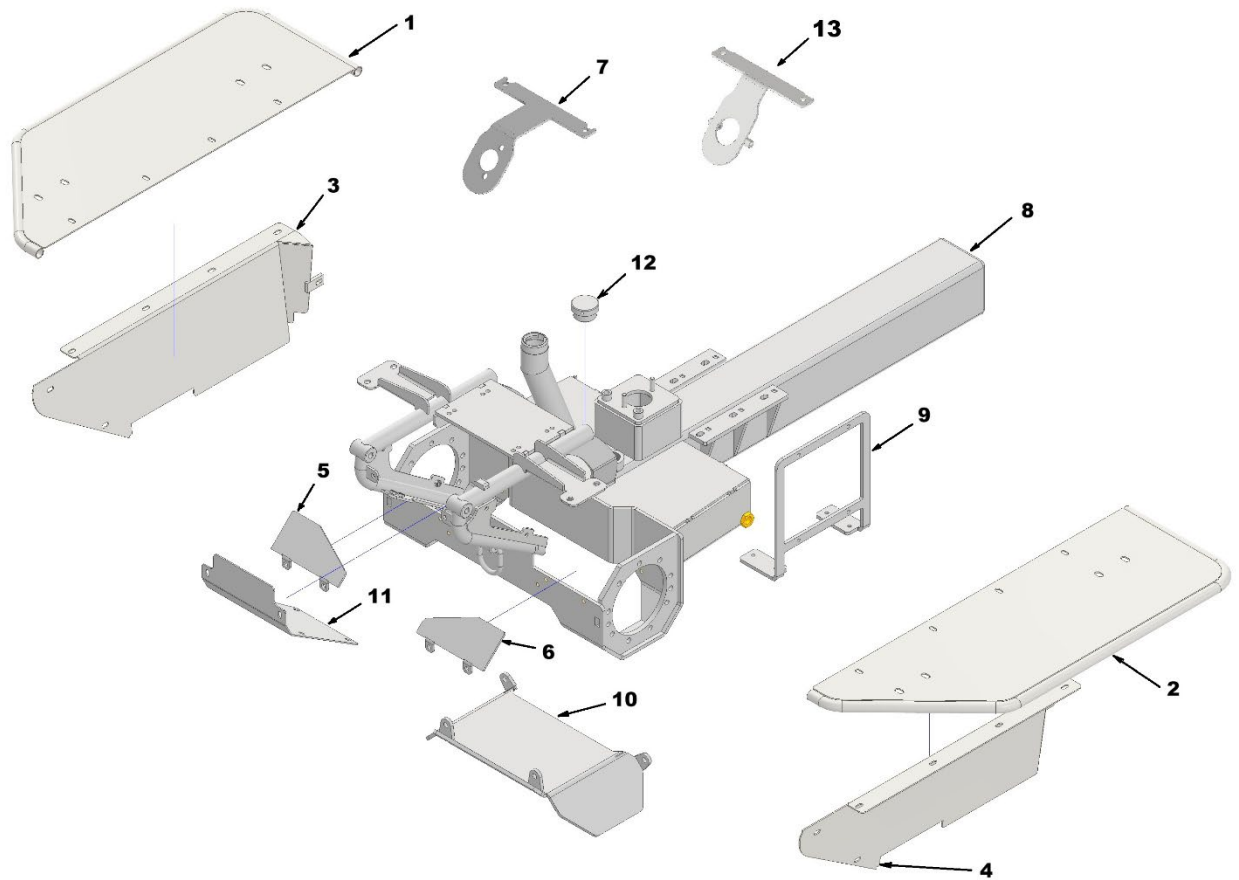


Image 6

04.1 FRONT FRAME

No.	Part number	Quantity	Description	Note
5	K555	1 pc	RIGHT DRIVE HYDRAULIC MOTOR COVER	HYDRAULIC MOTOR COVER / POCKET HYDRAULIC MOTOR COVER / POCKET HYDRAULIC MOTOR COVER / POCKET
		2 pcs	HEX HEAD SCREW M10x30	
		2 pcs	SELF-LOCKING NUT M10	
		4 pcs	FLAT WASHER M10	
6	K556	1 pc	LEFT DRIVE HYDRAULIC MOTOR COVER	HYDRAULIC MOTOR COVER / POCKET HYDRAULIC MOTOR COVER / POCKET HYDRAULIC MOTOR COVER / POCKET
		2 pcs	HEX HEAD SCREW M10x30	
		2 pcs	SELF-LOCKING NUT M10	
		4 pcs	FLAT WASHER M10	
7	K562	1 pc	PRESSURE FILTER HOLDER	HOLDER / FILTER HOLDER / FILTER HOLDER / FILTER
		2 pcs	HEX HEAD SCREW M8x25	
		2 pcs	SELF-LOCKING NUT M8	
		4 pcs	FLAT WASHER M8	
8	K554	1 pc	MAIN FRAME	
9	K542	1 pc	COOLER HOLDER	FENDER / COOLER HOLDER FENDER / COOLER HOLDER FENDER / COOLER HOLDER FENDER / COOLER HOLDER FENDER / COOLER HOLDER FENDER / COOLER HOLDER
		4 pcs	FLANGED BUTTON HEAD HEX SOCKET SCREW M8x25	
		4 pcs	SELF-LOCKING NUT M8	
		4 pcs	FLAT WASHER M8	
		4 pcs	FLANGED BUTTON HEAD HEX SOCKET SCREW M8x20	
		4 pcs	SELF-LOCKING NUT M8	
		4 pcs	FLAT WASHER M8	
		10	K557	
4 pcs	HEX HEAD SCREW M10x30			
4 pcs	FLAT WASHER M10			
4 pcs	SPRING WASHER M10			
11	K558			1 pc
		4 pcs	FLANGED BUTTON HEAD HEX SOCKET SCREW M8x20	
12	K474	1 pc	HYDRAULIC TANK CAP	
13	K561	1 pc	NITROGEN ACCUMULATOR HOLDER	HOLDER / ACCUMULATOR HOLDER / ACCUMULATOR HOLDER / ACCUMULATOR
		2 pcs	HEX HEAD SCREW M8x25	
		2 pcs	SELF-LOCKING NUT M8	
		4 pcs	FLAT WASHER M8	

05 REAR FRAME

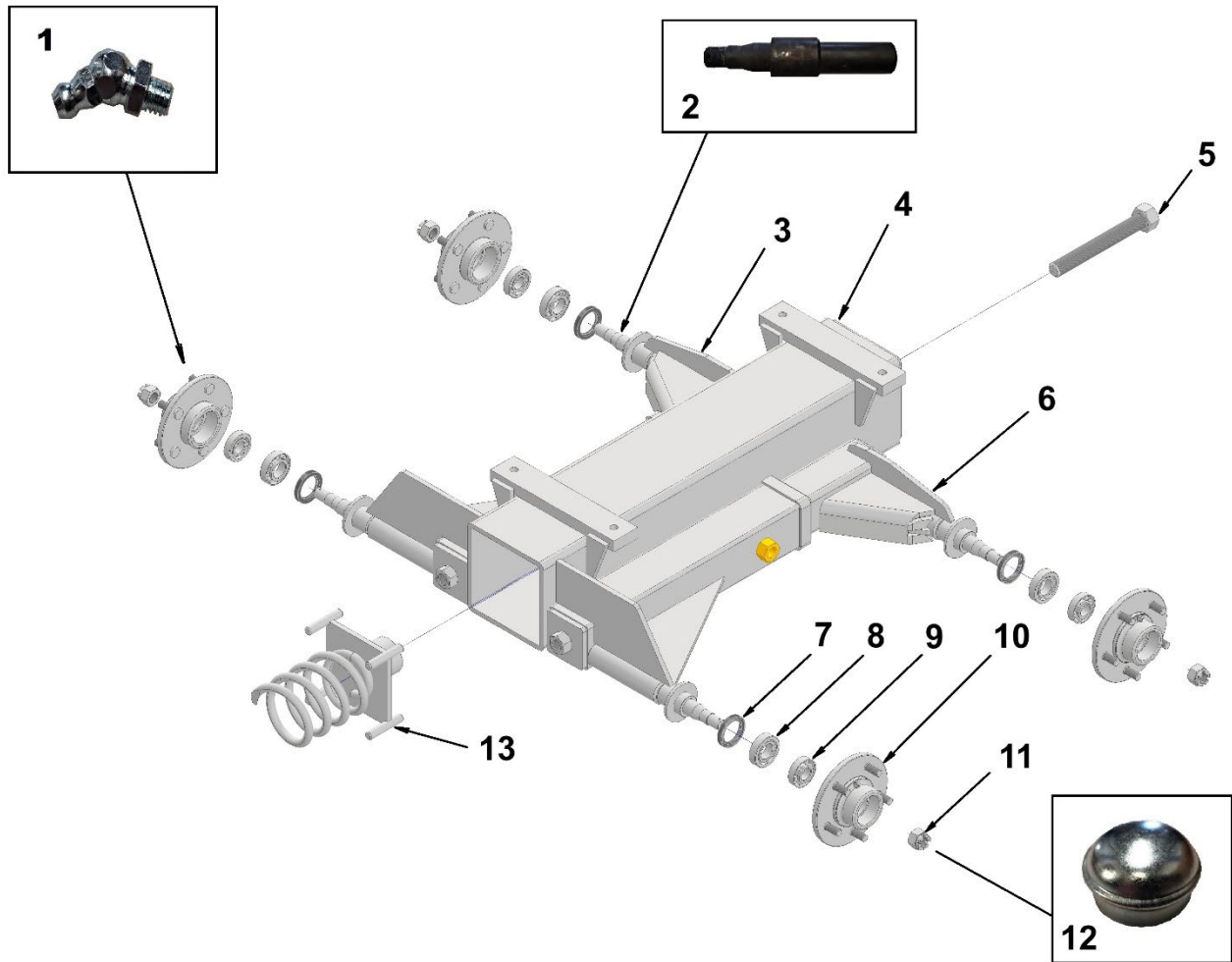


Image 7

05 REAR FRAME

No.	Part number	Quantity	Description	Note
1	H1-M06*1.00	4 pcs	GREASE NIPPLE	
2	K062	4 pcs	WHEEL SHAFT	
3	K495	1 pc	RIGHT AXLE	
4	K505	1 pc	REAR FRAME SECTION	
		4 pcs	HEX HEAD SCREW M12x50 10.9	REAR FRAME / TILTING SHIELD
		4 pcs	SELF-LOCKING NUT M12	REAR FRAME / TILTING SHIELD
		4 pcs	FLAT WASHER M12	REAR FRAME / TILTING SHIELD
5	K070	1 pc	TRACK TENSIONING SCREW M24x1.5	
6	K496	1 pc	LEFT AXLE	
7	gufero 34	4 pcs	OIL SEAL 34x52x8	
8	30204	4 pcs	BEARING 30204	
9	30205	4 pcs	BEARING 30205	
10	K088	4 pcs	REAR HUB	
11	9857	4 pcs	LOCKING NUT M18x1.5	
	???	4 pcs	COTTER PIN	
12	K036/1	4 pcs	BEARING CAP	
13	K502	1 pc	TRACK TENSION SPRING	

06.1 WINCH POST

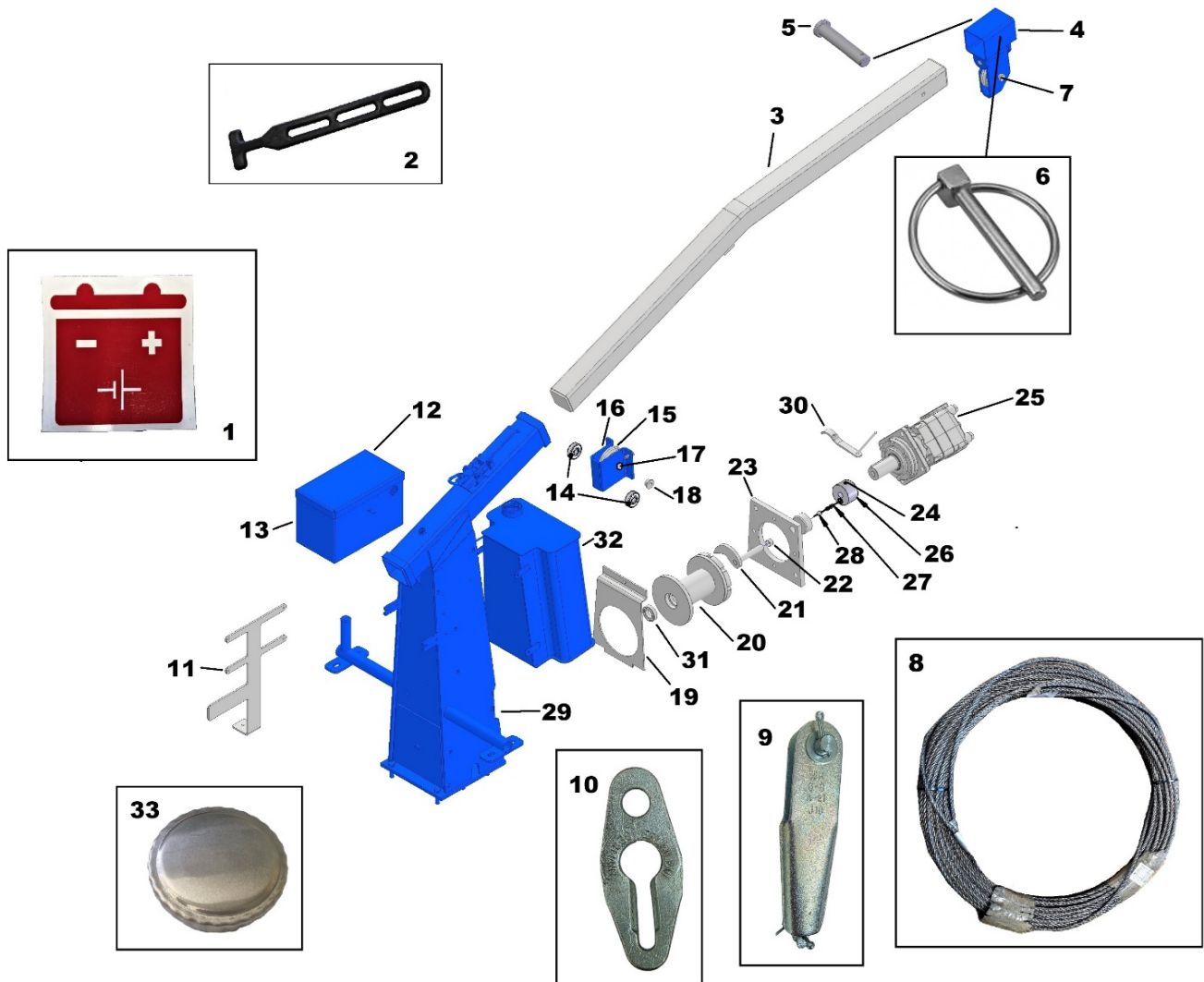


Image 8

06.1 WINCH POST

No.	Part number	Quantity	Description	Note
1	K162	1 pc	BATTERY WARNING DECAL	
2	K332	1 pc	RUBBER TENSION STRAP	
3	K494	1 pc	WINCH ARM	
4	K504	1 pc	SLIDING PULLEY HOLDER	
-	K089	1 pc	PULLEY	
-	6302	1 pc	BEARING 6302-2RSR	
5	K544	1 pc	LOCKING PIN	
6	K363	1 pc	SPRING COTTER PIN	
7	K107	1 pc	PULLEY PIN	
8	K364	1 pc	6 mm ROLLED STEEL ROPE	35 m
9	K379	1 pc	WIRE ROPE CLAMP FOR 6-8 mm ROPE	
10	K382	1 pc	SHORTENING HOOK ZSLV6	
11	K534	1 pc	RECEIVER HOLDER	
		2 pcs	HEX SOCKET SCREW M6x16	HOLDER / FENDER
		2 pcs	FLAT WASHER M6	HOLDER / FENDER
		2 pcs	SELF-LOCKING NUT M6	HOLDER / FENDER
12		1 pc	BATTERY BOX COVER	
13	S02458-00	1 pc	BATTERY BOX	
		1 pc	HEX HEAD SCREW M8x16	SAFETY
		8 pcs	FLAT WASHER M6	
14	641-6225A	2 pcs	BEARING	
15	K453	1 pc	PULLEY	
16	K492	1 pc	PULLEY HOLDER	
		4 pcs	HEX HEAD SCREW M8x30	HOLDER / POST
		4 pcs	SPRING WASHER M8	HOLDER / POST
		4 pcs	FLAT WASHER M8	HOLDER / POST
17	K109	1 pc	HEX HEAD SCREW M12x60 10.9	
		2 pcs	FLAT WASHER M12	HOLDER / FENDER
		2 pcs	SELF-LOCKING NUT M12	HOLDER / FENDER
18	K469	2 pcs	SPACER BUSHING	
19	K508	1 pc	LATCH COVER	
		1 pc	HEX HEAD SCREW M8x35	
		1 pc	FLAT WASHER M8	
		1 pc	SPRING WASHER M8	
20	K581	1 pc	WINCH DRUM	
21	S02518-00	1 pc	LATCH	
22	K141	1 pc	BUSHING	

06.2 WINCH POST

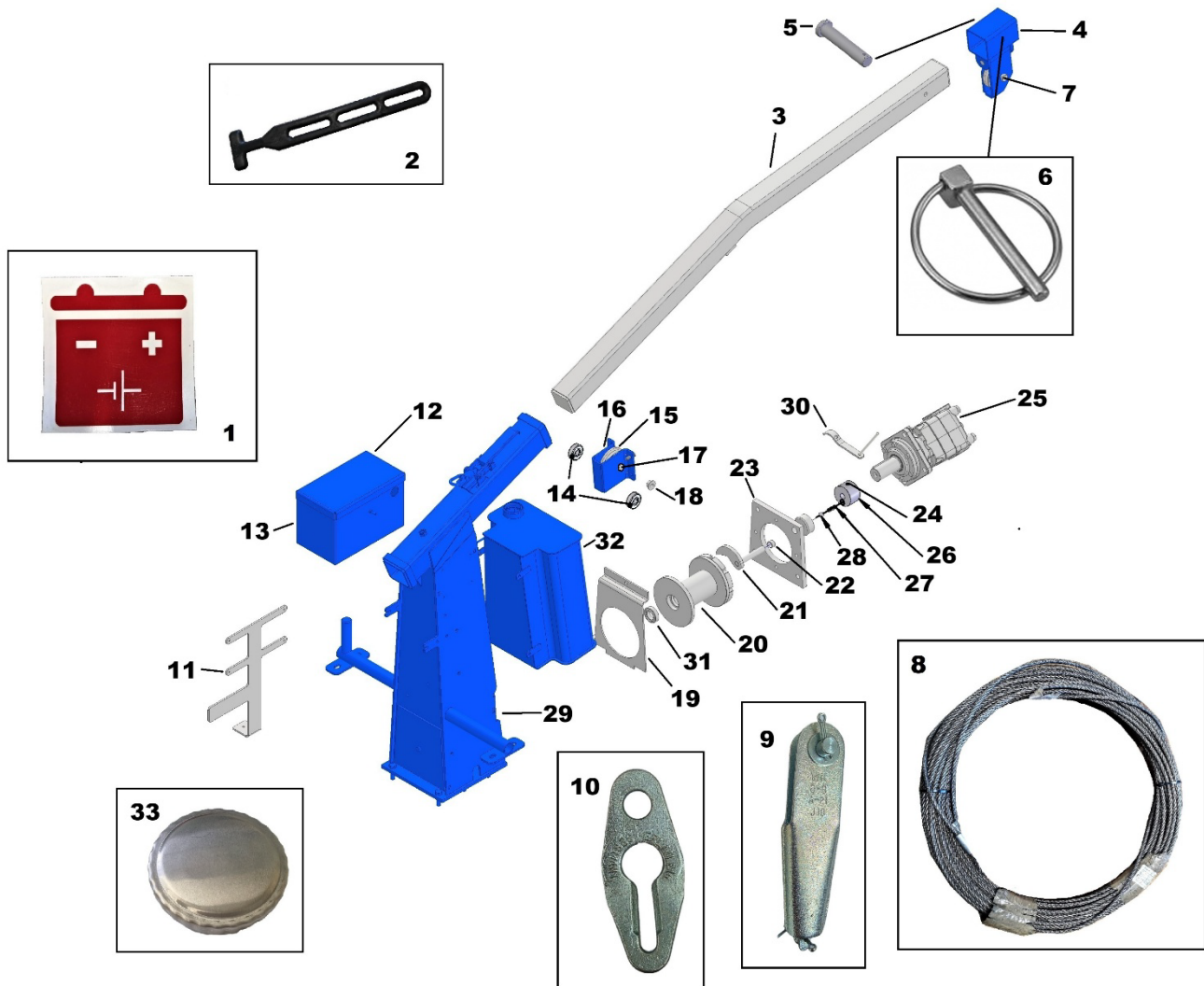


Image 8

06.2 WINCH POST

No.	Part number	Quantity	Description	Note
23	K501	1 pc	WINCH HYDRAULIC MOTOR FLANGE	
		3 pcs	HEX HEAD SCREW M12x35 10.9	FLANGE / POST
		3 pcs	SPRING WASHER M12	FLANGE / POST
		3 pcs	FLAT WASHER M12	FLANGE / POST
24		1 pc	SET SCREW M8x10	
25	K550	1 pc	MT400CU WINCH HYDRAULIC MOTOR	
		4 pcs	HEX HEAD SCREW M12x35 10.9	FLANGE / HYDRAULIC MOTOR
		4 pcs	NORD-LOCK WASHER M12	FLANGE / HYDRAULIC MOTOR
26	K138	1 pc	ROTATING LATCH BODY	
		1 pc	SET SCREW M6x10	
27	K143	1 pc	SPRING	
28	K142	1 pc	BALL	
29	K493	1 pc	WINCH POST	
		1 pc	HEX HEAD SCREW M12x20 10.9	ARM / FRONT FRAME
		6 pcs	FLAT WASHER M12	ARM / FRONT FRAME
		6 pcs	SELF-LOCKING NUT M12	ARM / FRONT FRAME
		4 pcs	LARGE HEAD RIVET 5x16	MANUFACTURER'S LABEL
30	K548	1 pc	LATCH HANDLE	
31	K552	1 pc	BEARING 2205 2RS ETN9	WINCH COIL
32	K430	1 pc	STAINLESS STEEL FUEL TANK	
		4 pcs	FLANGED BUTTON HEAD HEX SOCKET SCREW M8x30	POST / TANK
33	K474	1 pc	NON-LOCKABLE FUEL TANK CAP	

07 ENGINE COVER FRAME

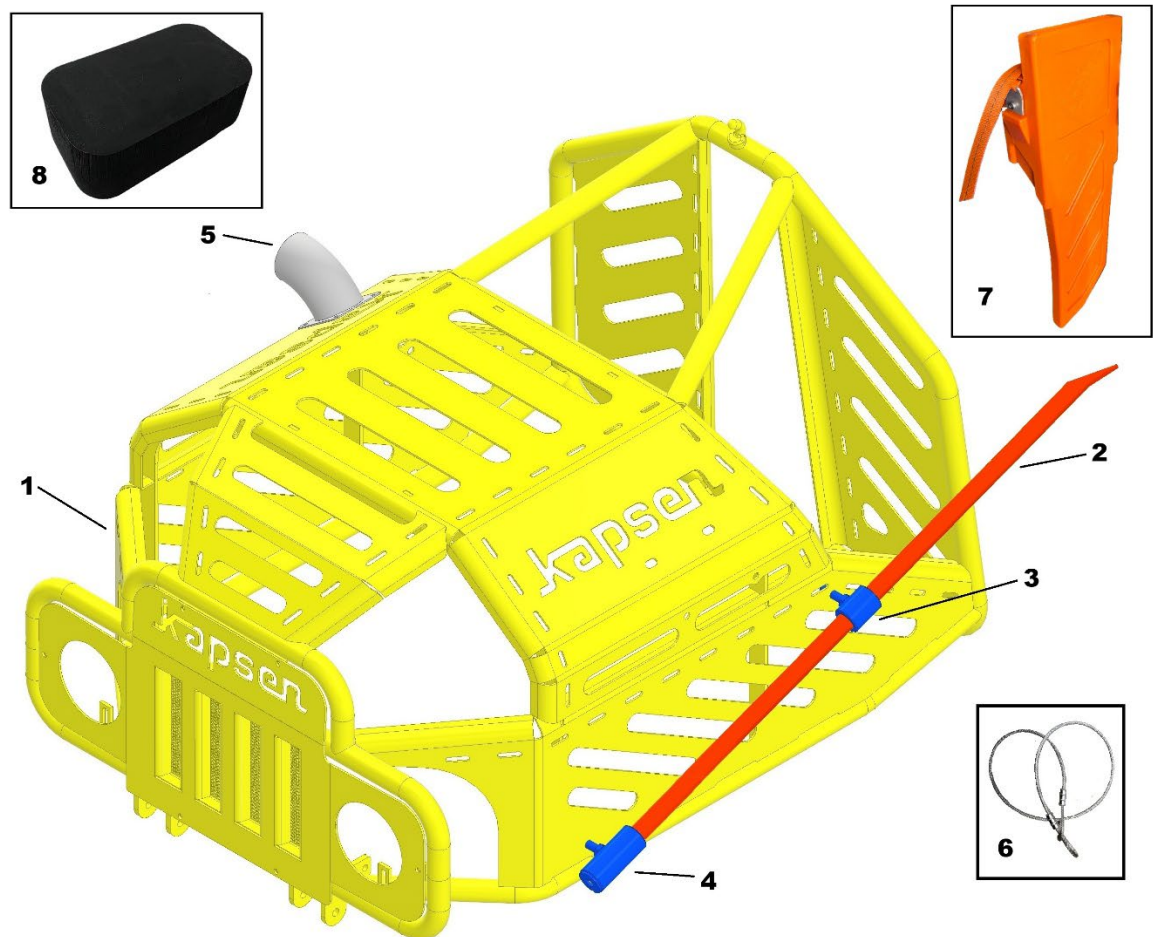


Image 9

07 ENGINE COVER FRAME

No.	Part number	Quantity	Description	Note
1	K509	1 pc	ENGINE PROTECTION FRAME COMPLETE	ENGINE COVER FRAME / FRONT FRAME ENGINE COVER FRAME / FRONT FRAME ENGINE COVER FRAME / FRONT FRAME ENGINE COVER FRAME / LOCKING MECHANISM ENGINE COVER FRAME / LOCKING MECHANISM ENGINE COVER FRAME / LOCKING MECHANISM
		2 pc	HEX HEAD SCREW M12x85	
		2 pc	SELF-LOCKING NUT M12	
		6 pcs	FLAT WASHER M12	
		1 pc	HEX HEAD SCREW M10x90	
		2 pcs	FLAT WASHER M10	
		1 pc	SELF-LOCKING NUT M10	
		2	K087	
3	K528	1 pc	UPPER CROWBAR HOLDER	
		1 pc	SELF-LOCKING NUT M12	
		1 pc	FLAT WASHER M12	
4	K529	1 pc	LOWER CROWBAR HOLDER	
		1 pc	SELF-LOCKING NUT M12	
		1 pc	FLAT WASHER M12	
5	S03005-00	1 pc	STAINLESS STEEL EXHAUST	ENGINE COVER FRAME / EXHAUST ENGINE COVER FRAME / EXHAUST ENGINE COVER FRAME / EXHAUST
		4 pcs	HEX SOCKET SCREW M6x20	
		4 pcs	SELF-LOCKING NUT M6	
		4 pcs	FLAT WASHER M6	
6	000-0368	1 pc	SAFETY CABLE FOR PROTECTION FRAME	
7	K160215	1 pc	JMP HOLDER	
8	K410	1 pc	RUBBER CAGE STOPPER	

08 BUFFER PAN

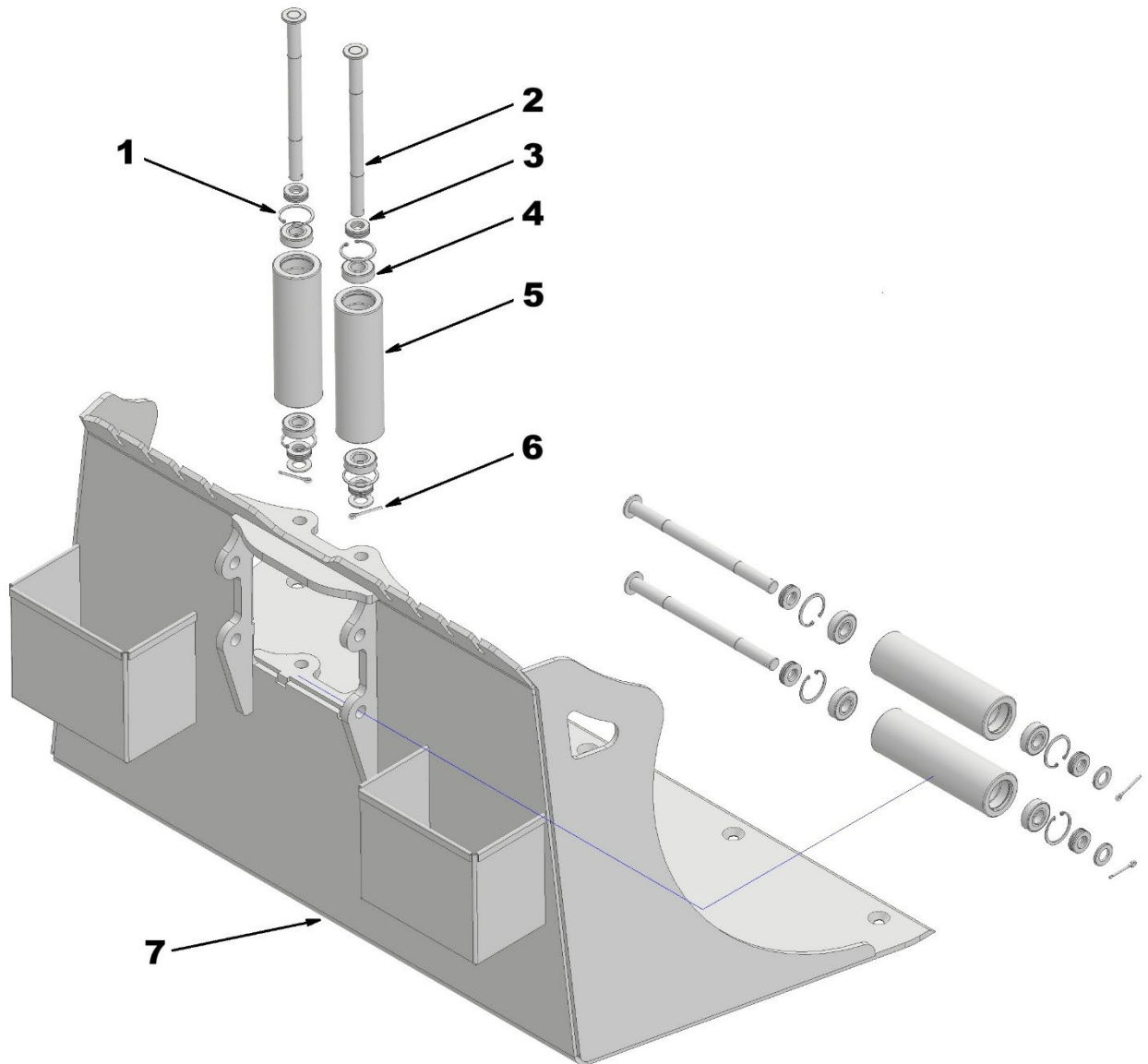


Image 10

08 BUFFER PAN

No.	Part number	Quantity	Description	Note
1		8 pcs	RETAINING RING 40 mm	
2		4 pcs	ROLLER PIN	
3		8-32 pcs	WASHER M40	
4	6203 2RS	8 pcs	BEARING 6203 2RSR	
5		4 pcs	ROLLER	
6		4 pcs	COTTER PIN	
7	K525	1 pc	BUFFER PAN	

09 TILTING SHIELD

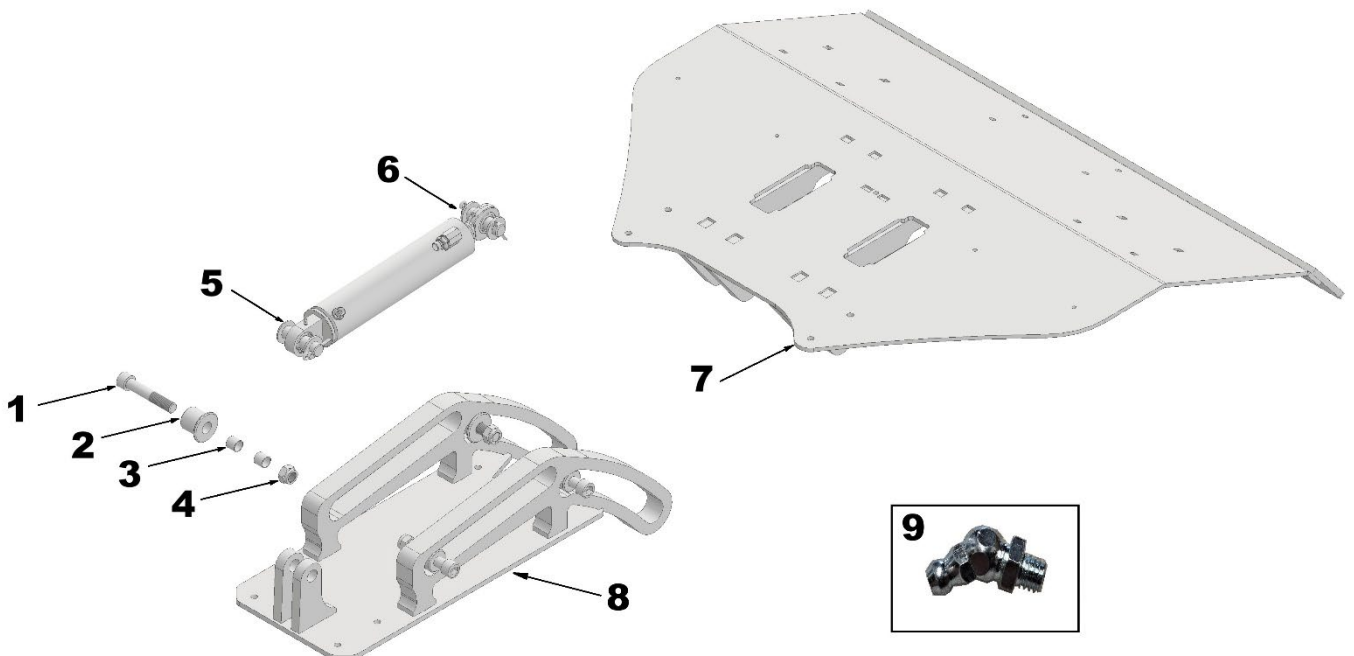


Image 11

09 TILTING SHIELD

No.	Part number	Quantity	Description	Note
1		4 pcs	HEX HEAD SCREW M12x50 10.9	FRAME / FRAME
2	VS-03-0097	4 pcs	ROLLER	
3	232020	8 pcs	BUSHING	
4		4 pcs	SELF-LOCKING NUT M20	
5	K522	1 pc	TILTING SHIELD CYLINDER ROD	
6	VS-03-0098	2 pcs	TILTING SHIELD CYLINDER PIN	
7	K526	1 pc	TILTING SHIELD	
8	K506	1 pc	TILTING SHIELD GUIDE	
9	H1-M06*1.00	1 pc	GREASE NIPPLE	

10 CHASSIS

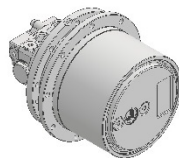
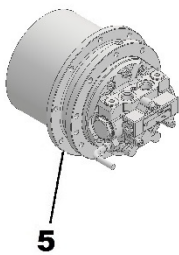
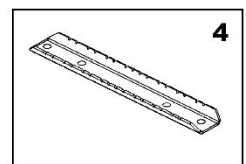
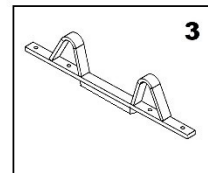
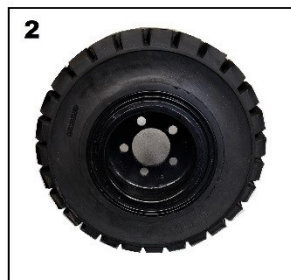
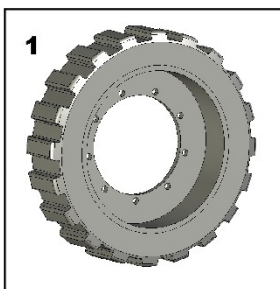


Image 12

10 CHASSIS

No.	Part number	Quantity	Description	Note
1	K523	2 pcs	DRIVE WHEEL	
2	K027K	4 pcs	IDLER WHEEL	
3	K031	56 pcs	GUIDE SHOE	
	K031-2	4 pcs	HIGHER GUIDE SHOE FOR JOINT	
4	D06639-00	60 pcs	DRIVE CROSSBAR	
5	K421	2 pcs	DRIVE HYDRAULIC MOTOR	TWO-SPEED WITH BRAKE
		22 pcs	HEX HEAD SCREW M12x30 12.9	FRAME / HYDRAULIC MOTOR
		22 pcs	NORD-LOCK WASHER M12	FRAME / HYDRAULIC MOTOR
		18 pcs	HEX HEAD SCREW M12x35 12.9	WHEEL / HYDRAULIC MOTOR
		18 pcs	NORD-LOCK WASHER M12	WHEEL / HYDRAULIC MOTOR
6	K477	2 pcs	COMPLETE TRACK	
-	K031	56 pcs	GUIDE SHOE	
-	K031-2	4 pcs	HIGHER GUIDE SHOE FOR JOINT	
-	D06639-00	60 pcs	DRIVE CROSSBAR	
-	K475	4 pcs	RUBBER TRACK	
-		216 pcs	HEX HEAD SCREW M8x35 10.9	CROSSBAR / TRACK / SHOE
-		16 pcs	HEX HEAD SCREW M8x50 10.9	TRACK JOINT
-		232 pcs	SELF-LOCKING NUT M8	CROSSBAR / TRACK / SHOE

11 CONTACT INFORMATION

REPAROSERVIS spol. s r.o.

Address: Lnářská 907/12, 104 00 Prague 10 – Uhřetěves

Registered in the Municipal Court in Prague, Section C, File 39328

Phone: +420 271 960 431

E-mail: info@lesni-technika.cz

Company ID No.: 63994445 • VAT No.: Cz63994445

Data Box Id: S93xbfc

Service and Manufacturing Center Kaplice

Address: SNP č.p. 278, 382 41 Kaplice

Phone: +420 380 311 020

E-mail: rps.kaplice@lesni-technika.cz

Spare Parts

24/7 HOTLINE: +420 724 505 010

Sklad Kaplice

Phone: +420 724 217 602

E-mail: rps.kaplice@lesni-technika.cz

Your dealer:

Service: